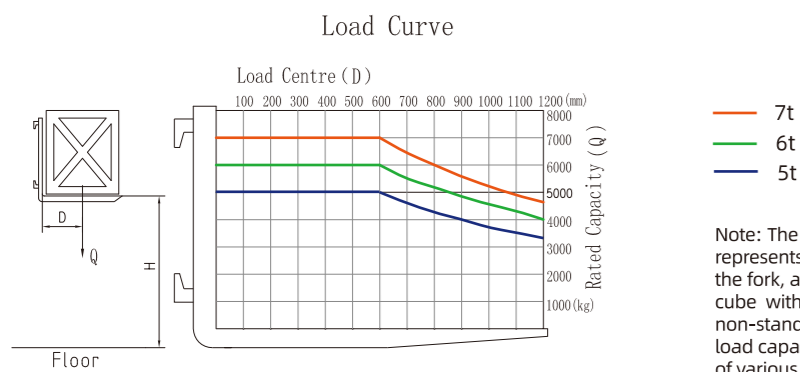


Configuration Option Sheet

LG series 5-7t

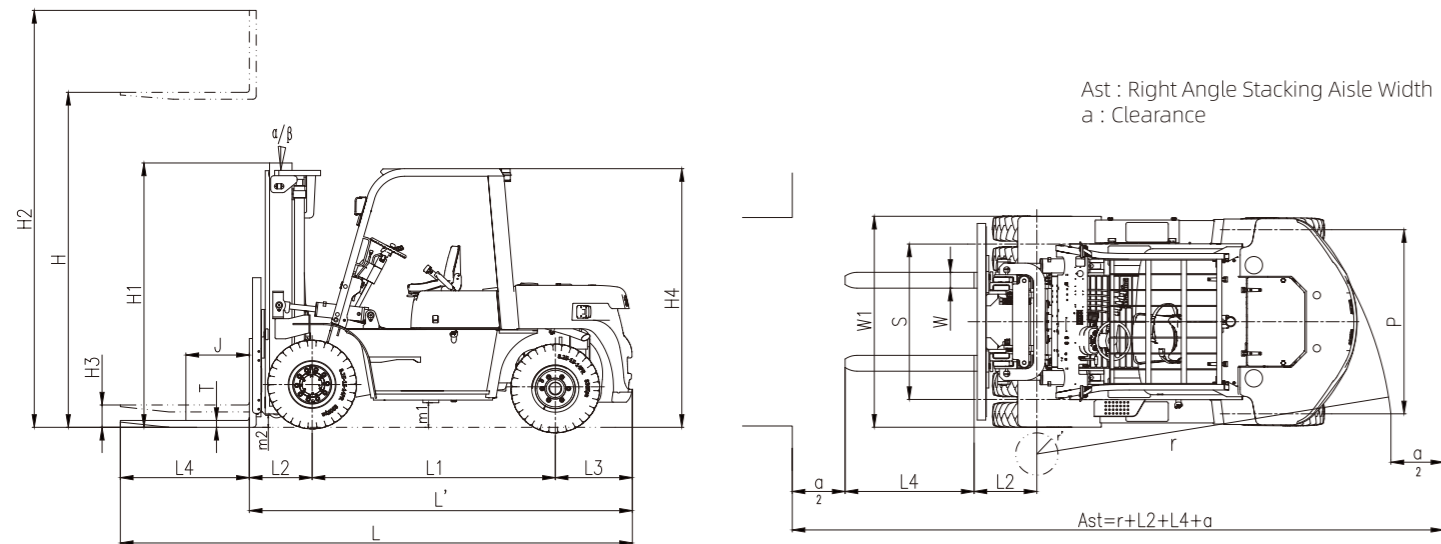
Configuration	Overhead Guard	Roof Weather Canopy	Pedal Rubber	Semi-suspension Seat	Automatic Shift
	Warning Light	Wide view mast(2 Stage)	Backrest	Standard Forks	Multi Function Display
	Working Hour Meter	Oil Content Meter	Water-thermometer	Charging Indicator	Neutral Position Switch
	Power Master Switch	Fuel Cap with Lock	Oil Pressure Warning	Electric Horn	Full Set of LED Lights
	Reversing Buzzer	Key Shutoff Device	Tilt-adjustable Steering Column	Lift, Tilt, Levers	Two-piece Multiplex Valve
	Fully-hydraulic Power Steering	Tilting Cylinder Latching Valve	Transmission Oil Filter	Torque Converter Oil Dipstick	Push-button Parking Brake
	Traction Pin	Tool Box	Balanced Weight Heat Sink Protective Cover		
Optional	Solid Tyres	Cabin	Electric Fan	Suspension Seat	Heater
	Front Windscreen	Rear Working Light	High Level Exhaust	Double Air Filter	Oil Bath Air Filter
	Driving OPS	Full Set OPS(Including drive and lift)	Torque Converter Oil Temperature Alarm	Reversing Voice Horn	Overspeed Alarm,10km/h
	Sound-light Alarm	Cold A/C	Fire Extinguishing Muffler	Widen Fork Carriage	Fork Extensions
	Tilt cylinder protection	Steering cylinder protection	Custom Colours	Multiple Hydraulic Attachments	

Load Curve



Note: The vertical axis represents the rated lifting weight, and the horizontal axis represents the load center distance. The load center is calculated from the front of the fork, and the base point of the standard load refers to the center position of a cube with a load side length of 1000 mm. When the mast is tilted forward, non-standard forks are used, or loads exceeding the normal width are loaded, the load capacity will be reduced. Through the load curve chart, the carrying capacity of various load centers can be understood in time.

Structure Diagram



LONKING

LONKING



5-7t

LG series Internal Combustion Counterbalance Forklift Truck



LONKING HOLDINGS LIMITED
LONKING (SHANGHAI) FORKLIFT SALES CO.,LTD.

Add:196,Xinrun Road,Xinqiao,Songjiang Industrial,Zone Shanghai
Sales Hot-line:+86-21-37602160 sales hotline:+86-400-021-6969
Fax:+86-21-61303339-8195 E-mail:ccfw@lonking.cn
http://www.lonking.cc P.C:201612



Good Heat Dissipation

Cooling system is reasonable optimized, which improves cooling performance significantly. Thus improving reliability and durability of key components such as gearbox and engine.

Lowering Energy Consumption

Optimized design of load sensing hydraulic system reduces vehicle fuel consumption Effectively.

Operating comfort

Adopted interactive ergonomic design to improve operating comfort. Equipped with wide field of view mast to improve driver's field of view.

Intelligent Reversing

The electronic reversing system is convenient and labor-saving to operate; the new intelligent shifting system is upgraded to prevent starting in second gear and ensure the reliability of the gearbox.

Convenient Maintenance

Interior space of car body is more spacious Parts Positions are more reasonable. Opening angle of hood is increased to 80°.

High Reliability

Strength of the core structural parts of car body, mast and hood has been enhanced greatly to make whole vehicle more solid.



Product details and advantages



Wide-view mast improves safety in stacking operations.



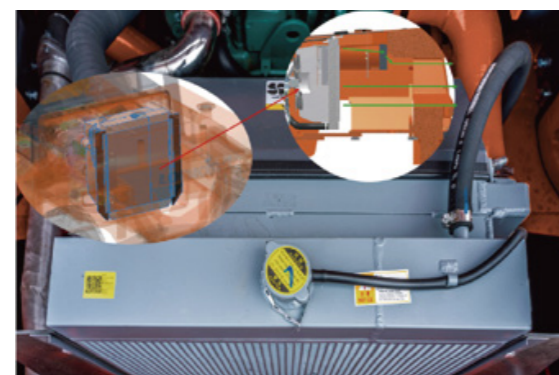
Using high-pressure common rail engine (CHN IV), Bosch high-pressure multiple injection technology, power performance is significantly improved, and the smoke emission is lower.



Integrated electric control box is waterproof and dustproof for easy maintenance.



The hood opening angle is increased to 80°, making maintenance more convenient.



The whole machine has a large internal space, reasonable layout of parts, good heat dissipation performance and higher efficiency.

Overall Specifications

LG series 5-7t

Character		LONKING				
1.01	Manufacturer					LONKING
1.02	Model		LG50DTIII	LG60DTIII		LG70DTIII
1.03	Power type					Diesel
1.04	Rated capacity	Q	kg	5000	6000	7000
1.05	Load center	J	mm	600		
Dimensions						
2.01	Max. height (with backrest)	H2	mm	4430	4430	4430
2.02	STD Max lifting height	H	mm	3000	3000	3000
2.03	Overhead guare height	H4	mm	2450	2450	2450
2.04	Overall length (with fork)	L	mm	4715	4790	4840/4970(optional YUCHAI Euro V)
2.05	Wheelbase	L1	mm	2300	2300	2300/2430(optional YUCHAI Euro V)
2.06	Front overhang	L2	mm	595	595	600
2.07	Rear overhang	L3	mm	595	595	600
2.08	Min ground clearance (Chassis/Mast)	m1/m2	mm	230/200	230/200	230/200
2.09	Overall width (outside)	W1	mm	1995	1995	1995
2.10	Fork adjustment range		mm	300-1835	300-1835	300-1835
2.11	Fork size(STD)		mm	1220×150×60		1220×150×65
2.12	Front wheel tread	S	mm	1470	1470	1470
2.13	Rear wheel tread	P	mm	1700	1700	1700
2.14	Min tuming radius(outside)	r	mm	3240	3300	3370/3500(optional YUCHAI Euro V)
2.15	Min aisle width for pallet 1000x1200,crossways	Ast	mm	5230	5315	5390/5520(optional YUCHAI Euro V)
2.16	Min aisle width for pallet 800x1200.lengthways	Ast	mm	5230	5315	5390/5520(optional YUCHAI Euro V)
Tyres						
3.01	Capital W (F/R, X=Driven wheels)					X=4/2
3.02	Tyres type (F/R)					Pneumatic
3.03	Tyres size,front					8.25-15-14PR
3.04	Tyres size,rear					8.25-15-14PR
Performance and other details						
4.01	Max. travelling speed,loaded/unloaded		km/h	24/29	24/29	24/29
4.02	Lifting speed, loaded/unloaded		mm/s	510/530	510/530	500/530
4.03	Lowering speed,loaded/unloaded		mm/s	400/390		
4.04	Max. traction force(loaded)		KN	60	60	60
4.05	MAX. gradeability,loaded/unloaded		%	38/20	35/20	32/20
4.06	Service weight(with oil & water)		kg	8320	8940	9500
4.07	Axle load, F/R(loaded)		kg	11920/1400	13290/1650	14700/1800
4.08	Axle load, F/R(unloaded)		kg	4220/4100	4040/4900	3850/5650
4.09	Service brake			Power brake -pedal		
4.10	Parking brake			Mechanical-hand brake lever		
4.11	Transmission type			Automatic		
4.12	Gear NO.(F/R)			2/2		
4.13	Fuel tanke capacity		L	110		
4.14	Battery (voltage/capacity)		V/Ah	2×12/90		

Engine Optional

LG series 5-7t

Engine model	Displacement	Manufacturer	Rated power	Max. torque(Nm/rpm)	Bore/cylinder No./displacement	Fuel concumprion	Applicable model
CA6110/125G2	CHN II	XICHAI	85kW/2000rpm	450/1400-1500	110/6/7.127	230kg/kW.h	5-7t
CA4DF3-12GCG3U	CHN III	XICHAI	85kW/2200rpm	460/1400-1500	110/4/4.75	220kg/kW.h	5-7t
YC4A125-T300	CHN III	YUCHAI	92kW/2200rpm	480/1600-1800	108/4/4.85	/	5-7t
6BG1-NAABD-03-C2	Euro I	ISUZU	82.4kW/2000rpm	416.8/1500	105/6/6.494	232kg/kW.h	5-7t
STD-S6ST-PA1	Euro IIIA	mitsubishi	63.9kW/2300rpm	285/1700	94/6/3.331	/	5-7t
WP4.1G125E302	CHN III	WEICHAI	92kW/2200rpm	480/1400-1600	105/4/4.09	/	5-7t
QSB4.5-C110-30	CHN III//Euro IIIA	DONGFENG CUMMIUS	82kW/2200rpm	480/1500	107/4/4.5	/	5-7t
YCA05115-S500	Euro V	YUCHAI	85kW/2000rpm	500/1300-1500	108/4/4.837	202kg/kW.h	7t

Mast Specifications

Mast Type	Mast Model	H2 Max Lifting Height (mm)	Load Capacity (j=600mm) (kg)			H1 Lowered Mast Height(mm)	H3 Free Lifting Height (mm)		Mast Tilting Angle (°)α/β
			LG50DTIII	LG60DTIII	LG70DTIII		LG50-60DTIII	LG70DTIII	
2 Stage Standard Mast-Super Wide Field	M200	2000	5000	6000	7000	2000	206	211	10/12
	M250	2500							
	M270	2700							
	M300	3000							
	M330	3300							
	M350	3500							
	M375	3750							
	M400	4000							
	M425	4250							
	M450	4500							
	M475	4750							
	M500	5000							
	M550	5500							
	M600	6000							
2 Stage Free Mast	ZM200	2000	5000	6000	7000	1960	980	985	10/12
	ZM225	2250							
	ZM250	2500							
	ZM270	2700							
	ZM300	3000							
	ZM330	3300							
	ZM350	3500							
	ZM370	3700							
	ZM400	4000							
	ZM425	4250							
	ZM450	4500							
	ZM450	4500							
	ZM450	4500							
	ZM450	4500							
3 Stage Free Mast	ZSM320	3200	4500	5600	6200	2205	2805	1847	6/6
	ZSM360	3600							
	ZSM400	4000							
	ZSM435	4350							
	ZSM450	4500							
	ZSM480	4800							
	ZSM500	5000							
	ZSM540	5400							
	ZSM600	6000							
	ZSM630	6300							
	ZSM650	6500							
	ZSM700	7000							
	ZSM700	7000							
	ZSM700	7000							
Note:The free lifting height with backrest minus 402mm.									
Note:The free lifting height with backrest minus 424mm.									

Note: Load capacity is reduced 300kg with optional side shifter for 5-7t forklift.